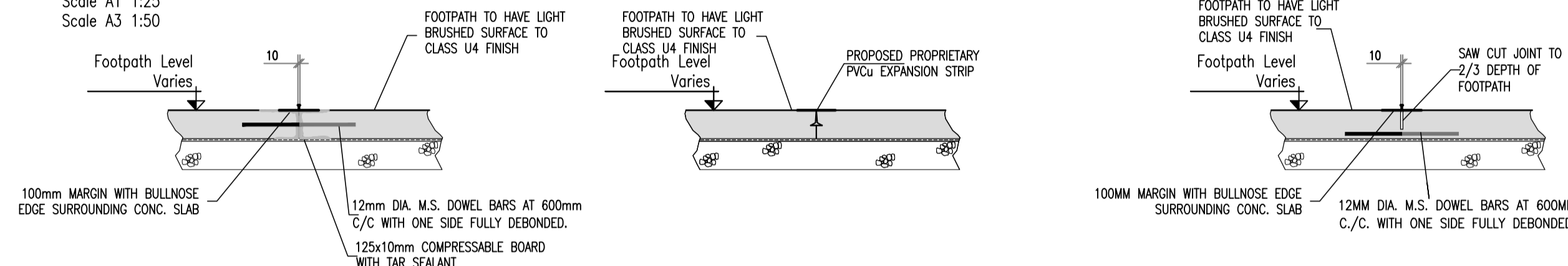


TYPICAL PLAN OF FOOTPATH

Scale A1 1:25
Scale A3 1:50



TYPICAL CONSTRUCTION JOINT - CAR PARK FOOTPATH
(WHERE POUR STARTS/FINISHES. CONTRACTOR TO AGREE ON SITE)

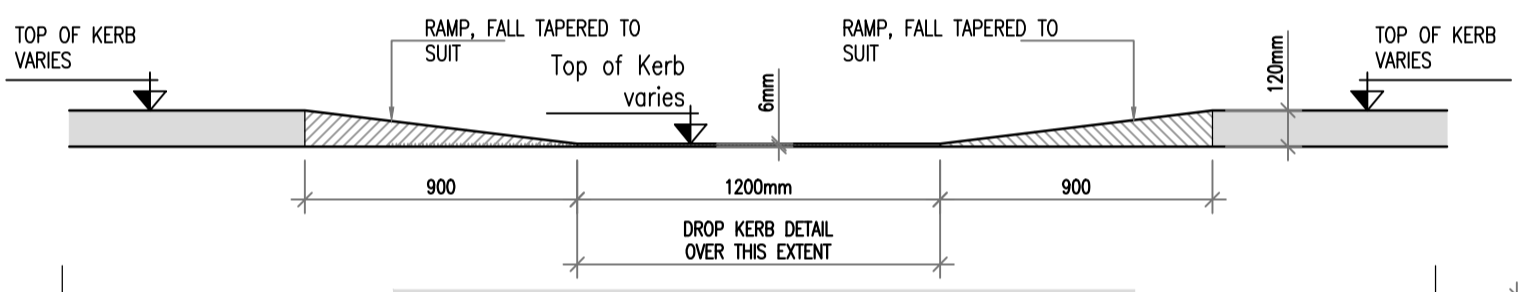
Scale A1 1:25
Scale A3 1:50

CONTRACTION JOINT-CAR PARK FOOTPATH
- MIN. 3m CTRS

Scale A1 1:25
Scale A3 1:50

TYPICAL EXPANSION JOINT-CAR PARK FOOTPATH
@ 15m C/C

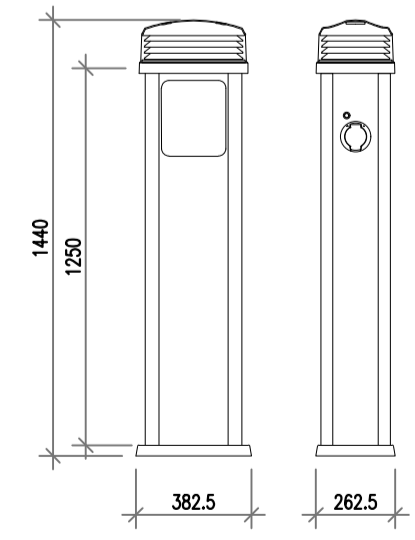
Scale A1 1:25
Scale A3 1:50



TYPICAL DROPPED KERB DETAIL

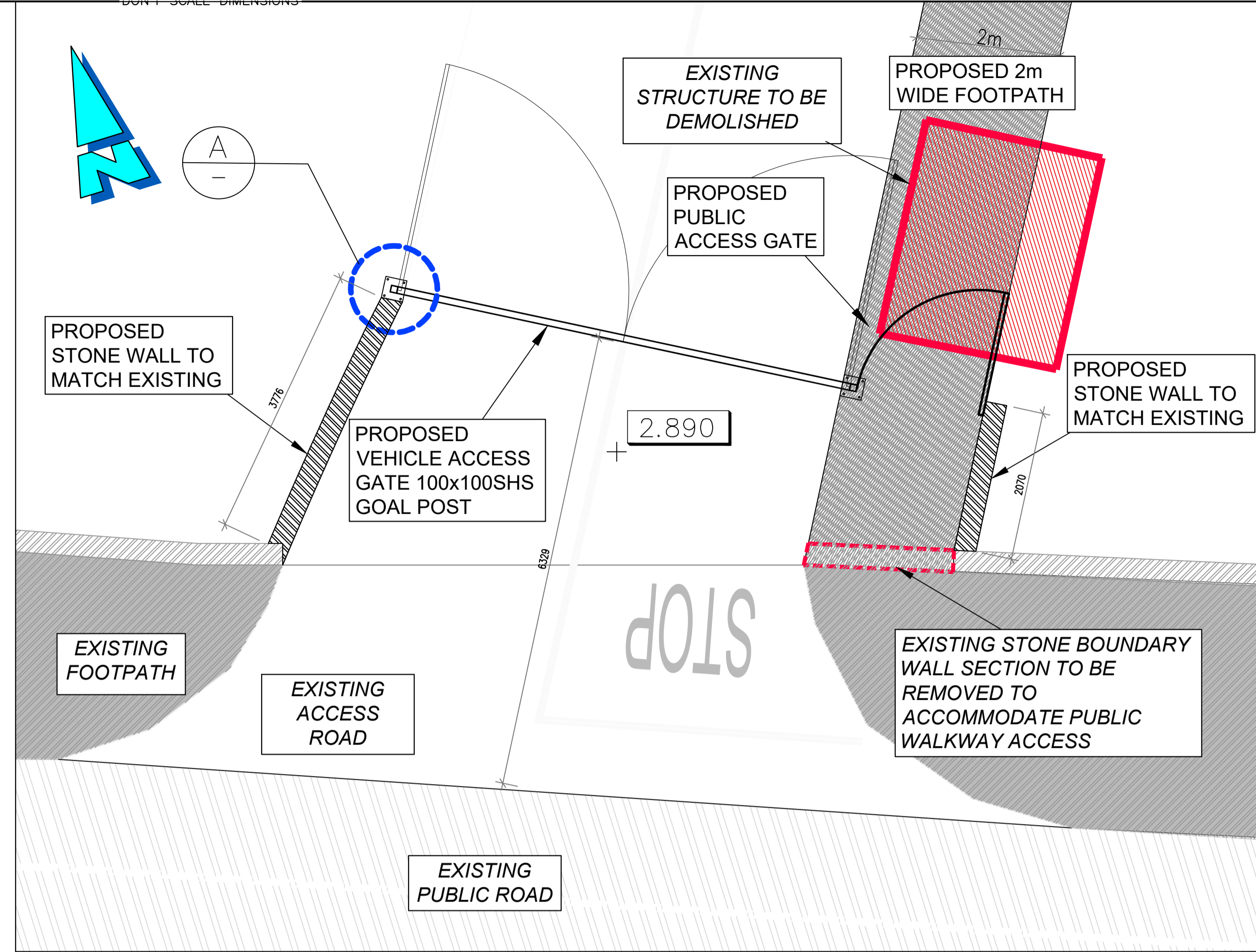
A1 SCALE: 1:25
A3 SCALE: 1:50

NOTE: TACTILE PAVING
LINE OF DIMPLES ON TACTILE PAVING TO BE PERPENDICULAR TO PEDESTRIAN CROSSING.



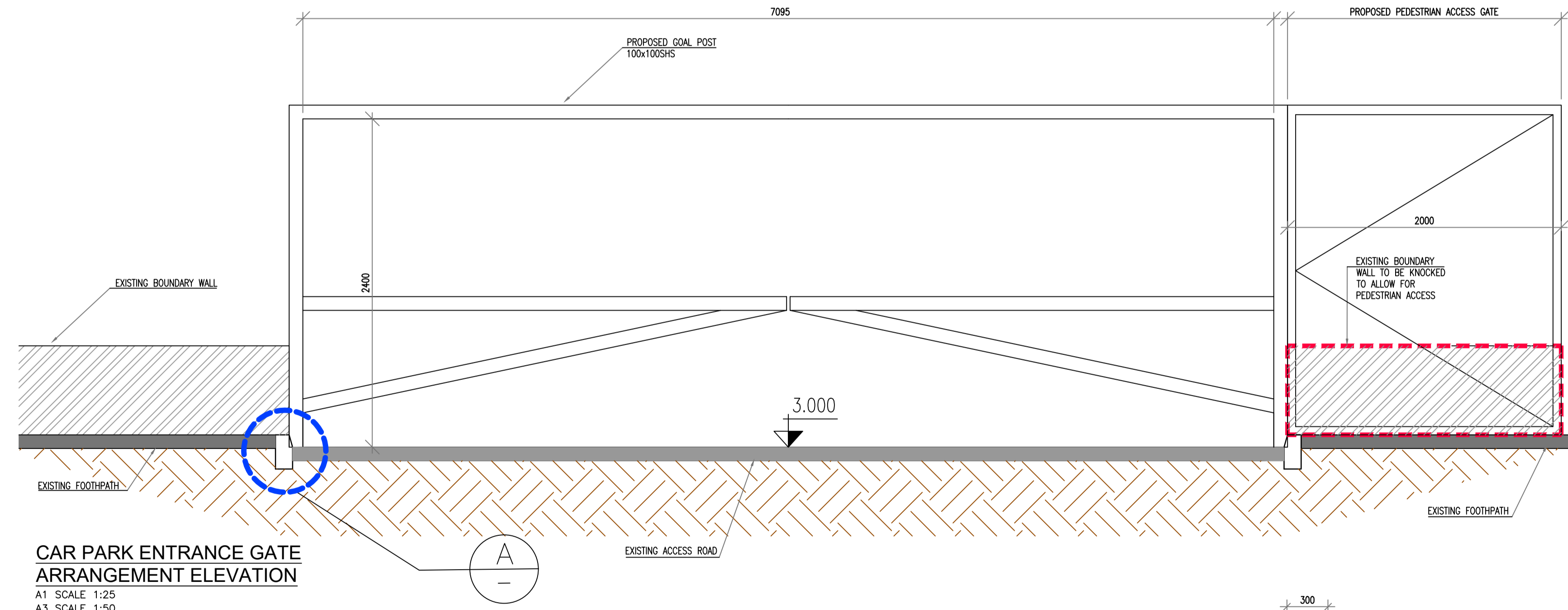
EV CHARGING PEDESTAL

Scale A1 1:25
Scale A3 1:50



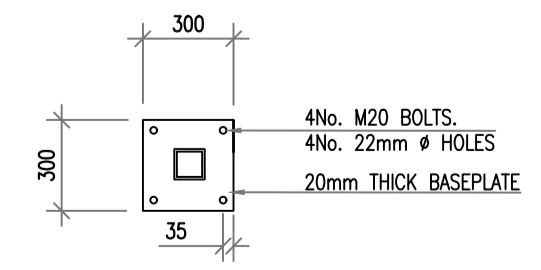
CAR PARK ENTRANCE GATE ARRANGEMENT PLAN

A1 SCALE 1:50
A3 SCALE 1:100



CAR PARK ENTRANCE GATE ARRANGEMENT ELEVATION

A1 SCALE 1:25
A3 SCALE 1:50



100x100 SHS BASEPLATE DETAIL

A1 SCALE: 1:25
A3 SCALE: 1:50

Health and Safety:
THIS DRAWING TO BE READ IN CONJUNCTION WITH ALL OTHER RELEVANT DRAWINGS, THE SPECIFICATION AND THE SAFETY AND HEALTH PLAN.
THE APPOINTMENT OF THE PROJECT SUPERVISOR DESIGN PROCESS IS THE CLIENT'S RESPONSIBILITY.
TEMPORARY WORKS PROPOSALS AND/OR METHOD STATEMENTS TO BE SUBMITTED TO THE PSPD AND THE PSCS FOR WORKS WHICH INVOLVE PARTICULAR RISKS.

- Notes:**
- NO PART OF THIS DRAWING MAY BE REPRODUCED OR TRANSMITTED IN ANY FORM OR STORED IN ANY RETRIEVAL SYSTEM OF ANY NATURE WITHOUT THE WRITTEN PERMISSION OF MALONE O'REGAN CONSULTING ENGINEERS AS COPYRIGHT HOLDER EXCEPT AS AGREED FOR USE ON THE PROJECT FOR WHICH THE DRAWING WAS ORIGINALLY ISSUED.
 - THE APPOINTMENT OF THE PROJECT SUPERVISOR DESIGN PROCESS IS THE CLIENT'S RESPONSIBILITY.
 - ALL DIMENSIONS IN mm UNLESS NOTED OTHERWISE.
 - THE CONTRACTOR SHALL CHECK ALL DIMENSIONS PRIOR TO COMMENCEMENT OF CONSTRUCTION. DISCREPANCIES SHALL BE REPORTED TO THIS OFFICE IN WRITING.
 - THIS DRAWING TO BE READ IN ACCORDANCE WITH ALL RELEVANT ENGINEERS' DRAWINGS AND SPECIFICATIONS.

P	PLANNING ISSUE	01.11.2021	SF	CO'B	BM
Rev.	Description	Date	Drawn	Chkd	Appr

THIS DRAWING TO BE USED FOR PLANNING PURPOSES ONLY

ADR
MALONE O'REGAN CONSULTING ENGINEERS

3-4 Canada Street
Waterford
Co. Waterford.
X91 V52K
Tel: +353 51 876 855
Email: waterford@morce.ie
Web: www.maloneoregan.com

Offices also in:
DUBLIN : Tel: +353 1 260 2655 Email: dublin@morce.ie
GALWAY: Tel: +353 91 531 069 Email: galway@morce.ie
LONDON: Tel: +44 208 5281685 Email: london@morce.ie

Client **SLIGO COUNTY COUNCIL**

Job **FINISKILN PUBLIC PARK, FAR FINISKILN ROAD, Co. SLIGO.**

Drawing **SITE DEVELOPMENT DETAILS (SHEET 1 OF 3)**

Job No	Drng No	Stage	Revision	Scale
W21005	P815	PL	P	A1 1:100 A3 1:200

P:\2021\W21005\07_Design and Drawings\1_MORCE - Planning\PBS-P815_P_Site Development Details.dwg

DON'T SCALE DIMENSIONS